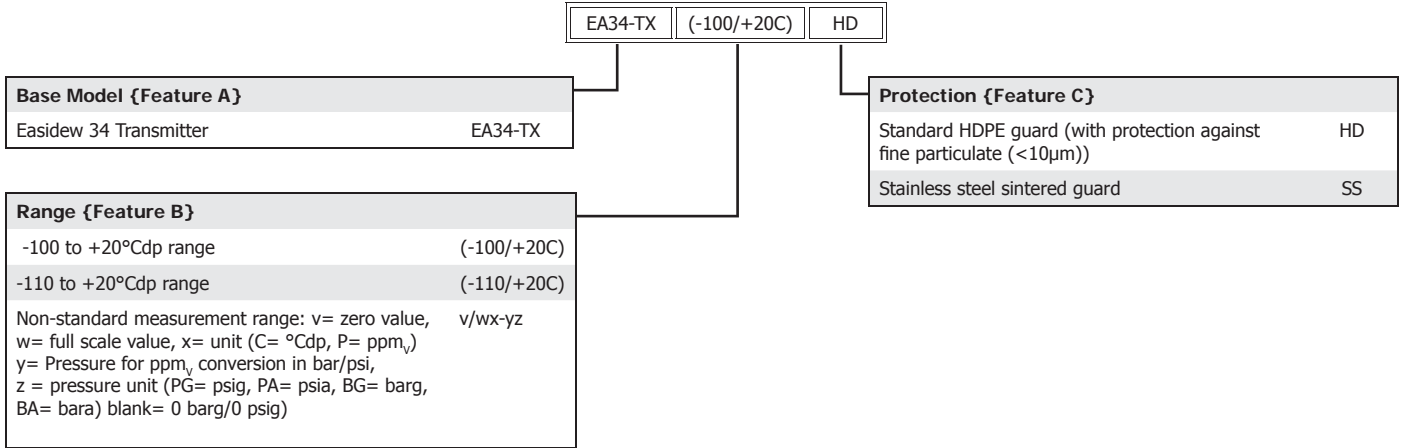


# Easidew 34

## Order Codes

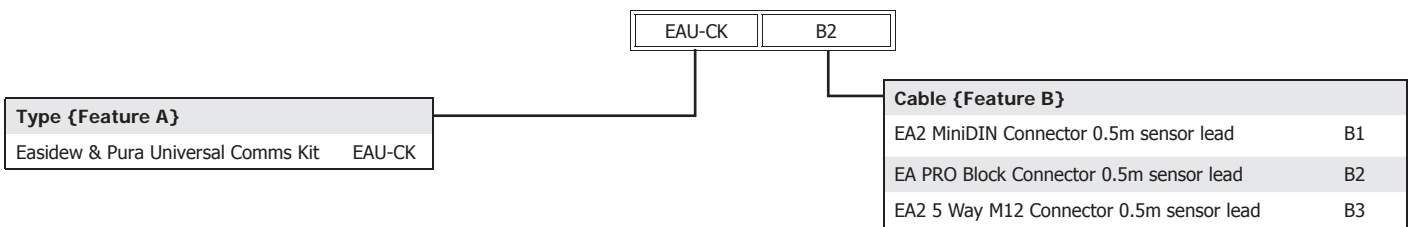
To construct the order code, select the relevant feature from the tables below, starting with the base model, which is {Feature A} and then add on options to create a string: {Feature A} + {Feature B} + {Feature C}

**Order example:** EA34-TX + (-100/+20C) + HD  
 Easidew 34 Transmitter, 2-wire, 4-20 mA output, measurement range -100 to +20°Cdp, HDPE guard



## Accessories and Spare Parts

|                          |  | Process Connection Size |
|--------------------------|--|-------------------------|
|                          |  | 3/4"                    |
| <b>Sensor Protectors</b> | Pack of 10 replacement HDPE guards for protection against fine particulate <10µm         | EA2-HDPE                |
|                          | Stainless steel sintered guard replacement for protection against fine particulate <80µm | SSG                     |
| <b>Other Parts</b>       | 3/4" SS sample block (with 1/8" NPT inlet & outlet ports)                                | SB-34                   |
|                          | Additional/replacement transmitter labels (per 2 labels)                                 | GEN-LABEL               |
|                          | 3/4" O-ring for process connection (pack of 5)   | OR-34-PK5               |
|                          | Sensor connecto  | EA2-SC                  |
|                          | BS EN 10204 – type 3.1 Material Certifi cates  | DP-MC                   |
|                          | Sensor cable – 0.8m (2.62') length with mini-DIN mating socket                           | EA2-CAB-0.8             |
|                          | Sensor cable - 2m (2.62') length with mini-DIN mating socket                             | EA2-CAB-02              |
|                          | Sensor cable - 5m (16.4') length with mini-DIN mating socket                             | EA2-CAB-05              |
|                          | Sensor cable - 10m (32.8') length with mini-DIN mating socket                            | EA2-CAB-10              |
|                          | Other cable legths available upon request  |                         |



**Michell Instruments** 48 Lancaster Way Business Park, Ely, Cambridgeshire, CB6 3NW  
 Tel: +44 (0) 1353 658000, Fax: +44 (0) 1353 658199, Email: info@michell.com, Web: [www.michell.com/uk](http://www.michell.com/uk)

Please note: Michell Instruments adopts a continuous development program which sometimes necessitates specification changes without notice. Please contact us for latest version. Issue No: Easidew 34 Transmitter\_97318\_V1\_UK\_0516